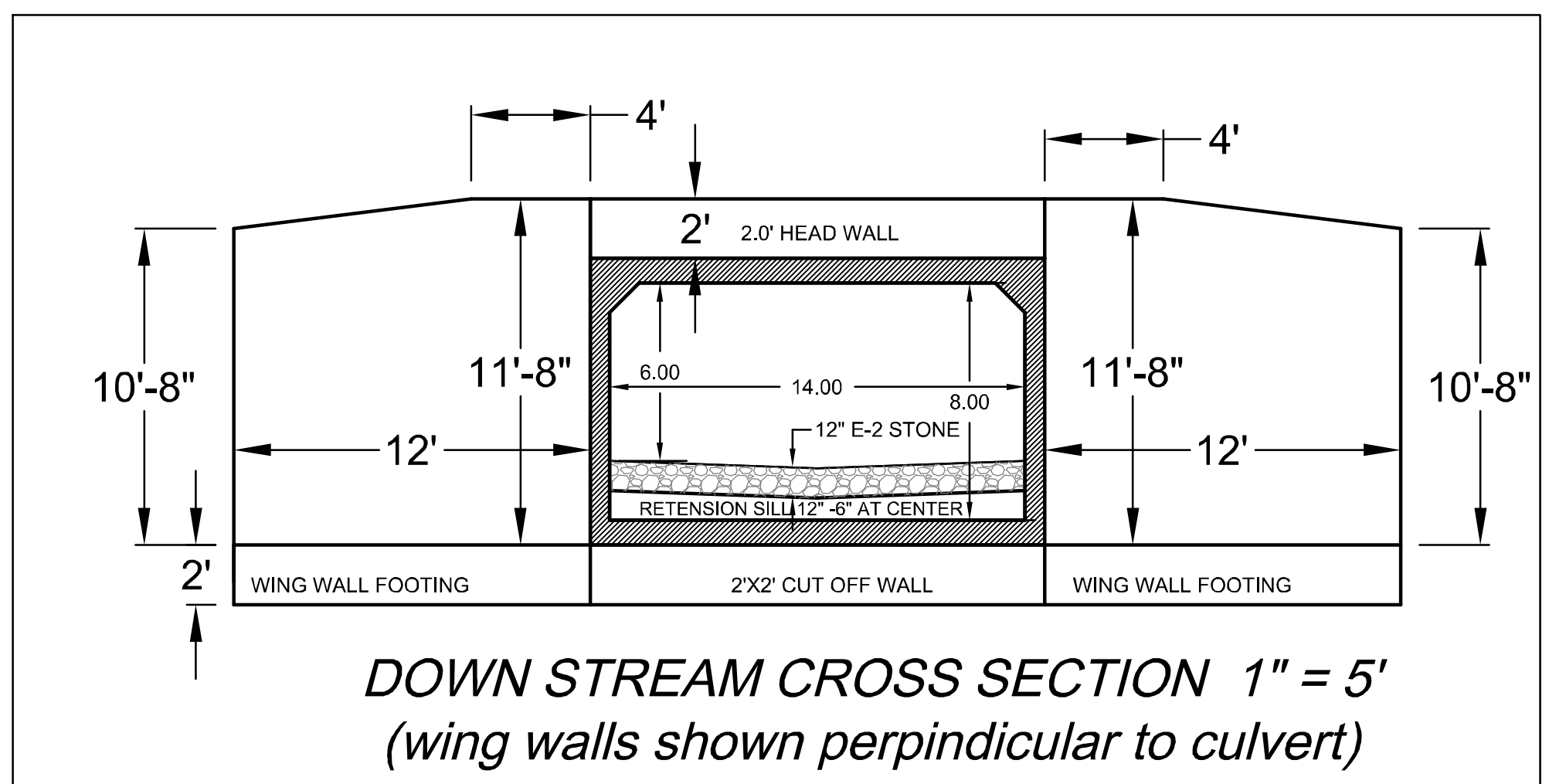
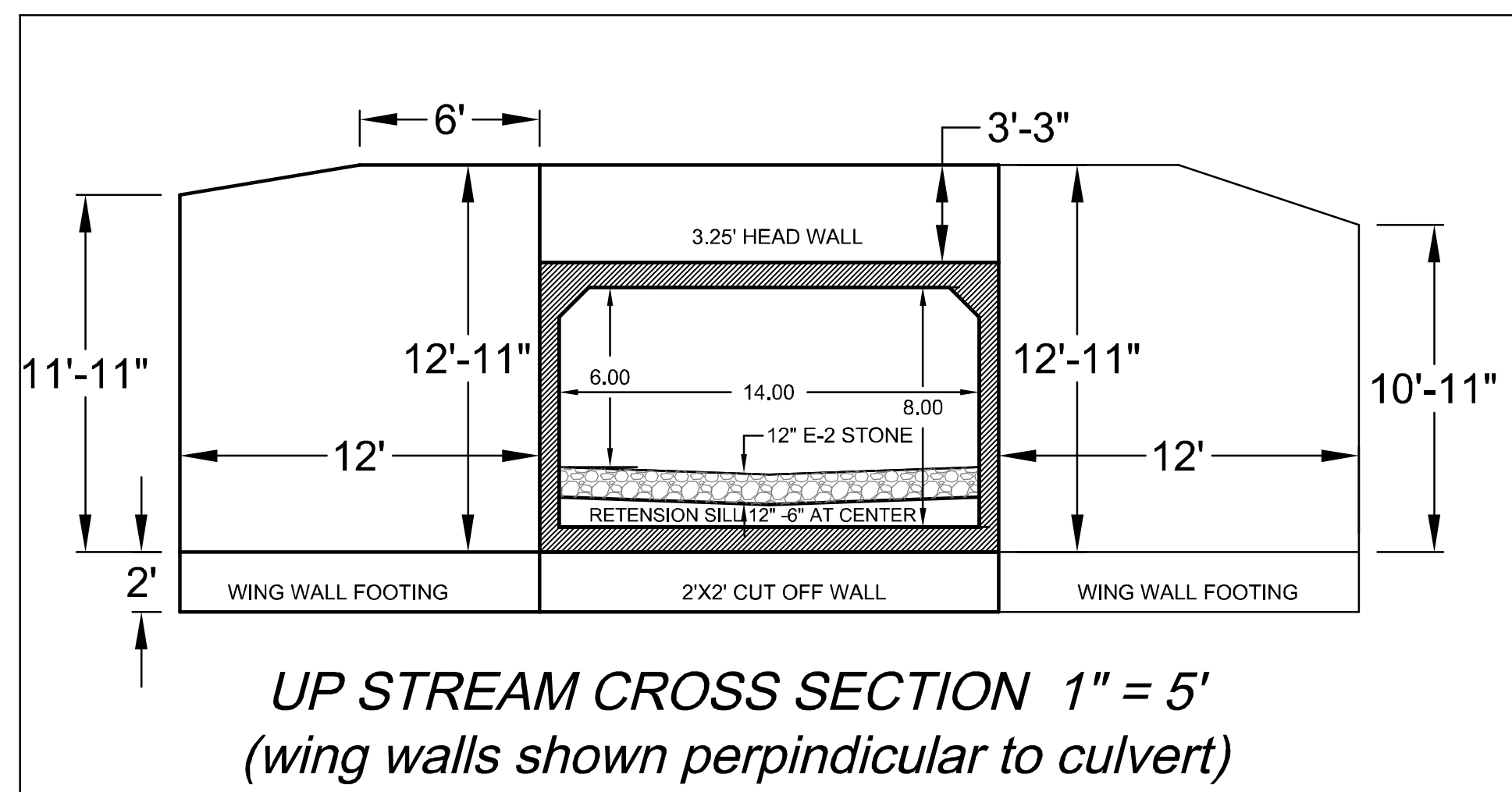
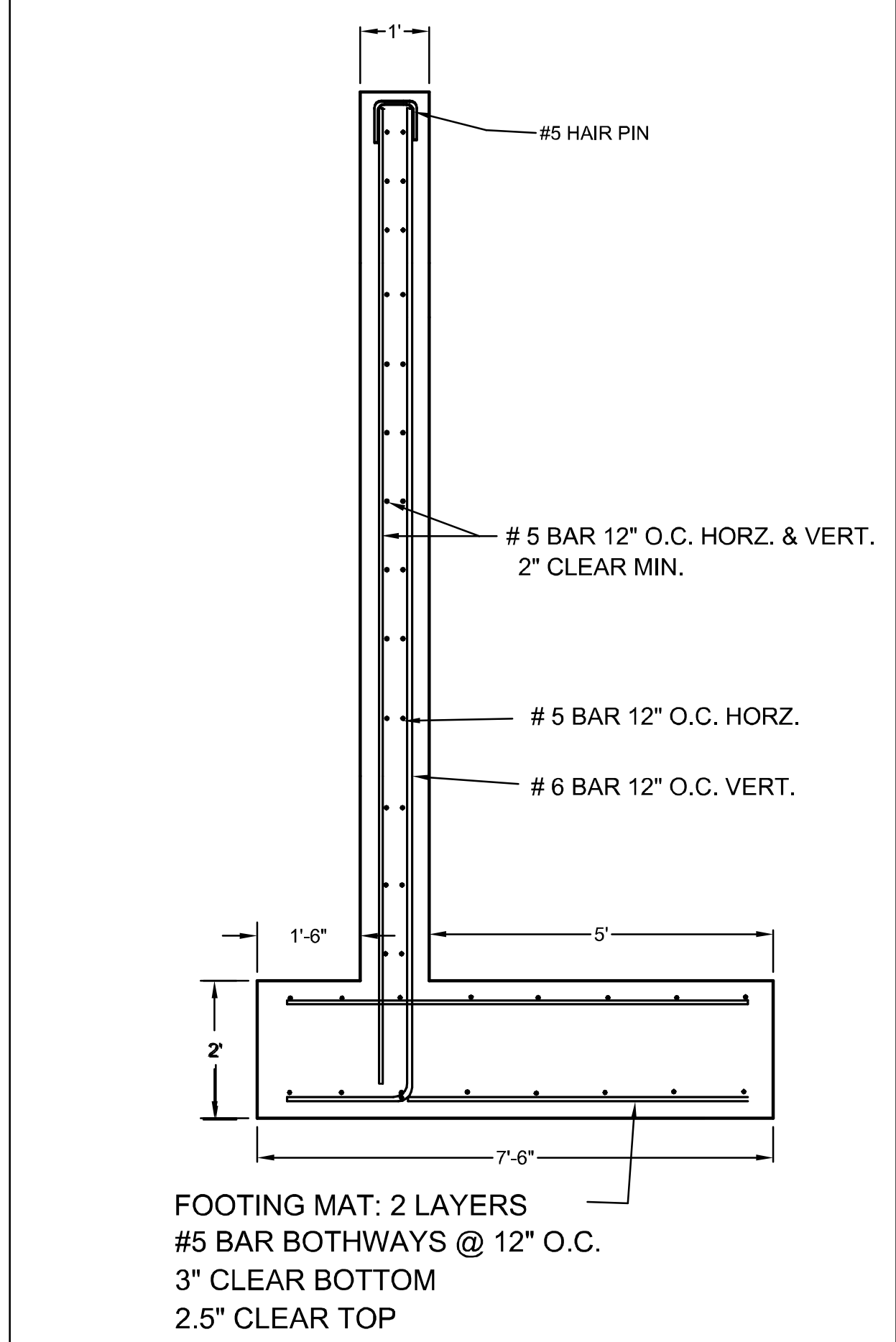
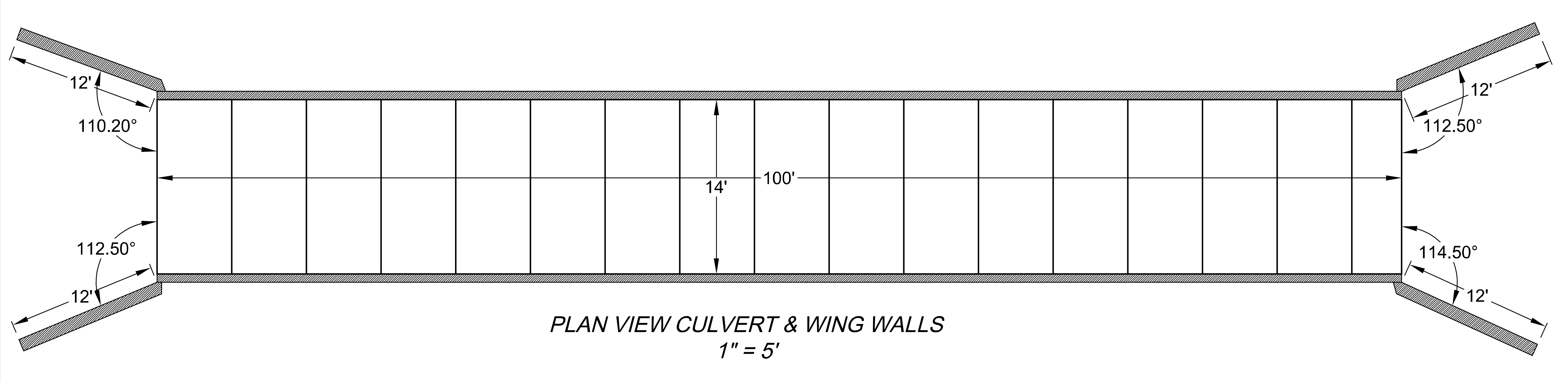


REVISIONS:



PROJECT:
 TOWN OF DOVER
 TAFT BROOK ROAD
 CULVERT REPLACEMENT

SHEET TITLE:
 "ALTERNATIVE BRIDGE"
 BOX CULVERT
 ~DETAILS~

SCALE:
 AS NOTED

DATE:
 JULY 31, 2018

SHEET